

975001

D

C

B

A

4

3

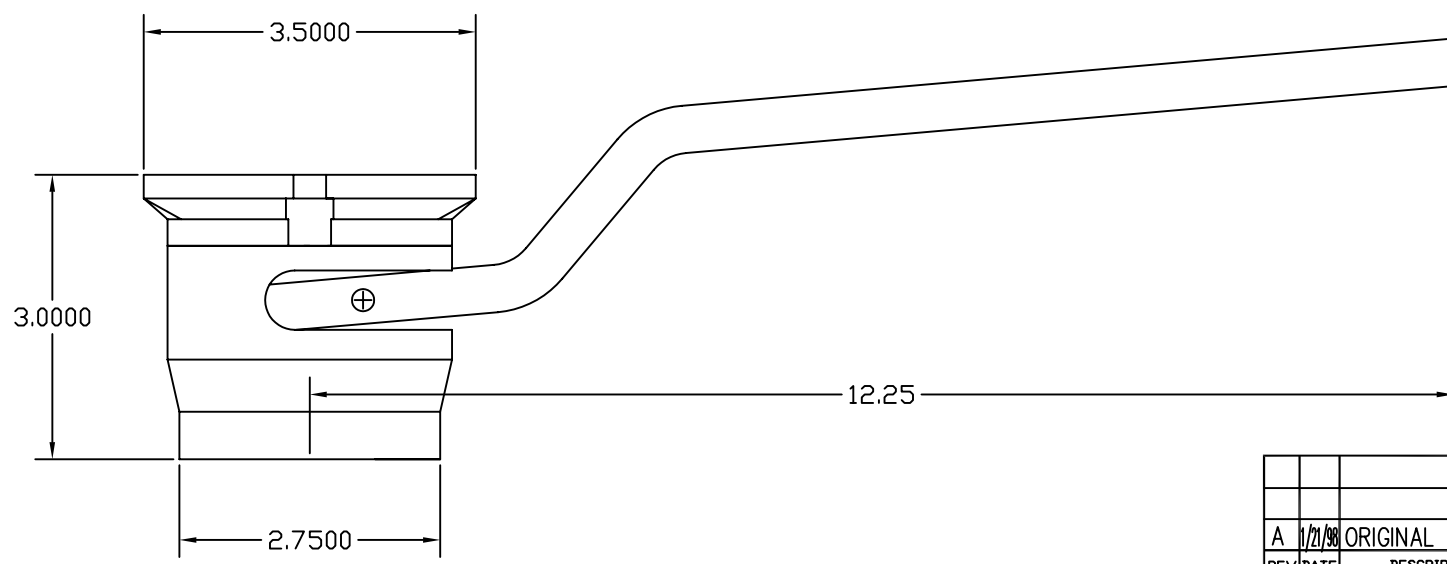
2

1

UNLESS OTHERWISE SPECIFIED
DIMENSIONS ARE IN INCHES

TOLERANCES

DECIMAL: ANGULAR:
.XX+/- .015 +/- 1/2DEG.
.XXX+/- .005
FRACTIONAL:
+/- 1/64



PROPRIETARY NOTICE

This Technical Document contains information proprietary to Engineering Manufacturing Services Company. Its contents may not be copied, distributed, disclosed to other organizations or used for any other purpose than intended without the express written permission of Engineering Manufacturing Services Company.

A	11/21/98	ORIGINAL							
REV	DATE	DESCRIPTION	BY	CHK'D	APPV.				
SCALE	FULL	DESIGN	GEO	DRAWN	GEO	PLOTTED	FIT		

EMS Engineering Manufacturing Services Co.
5634 CANNON DR. MONROE, NC 28110
(704) 821-7325

GENERAL DIMENSIONS
FOR
SWITCHLINK II

JOB NO.	DRAWING NO.	REV.
975000	975001	A

4

3

2

1