



HOW TO ORDER **RETROLOK®** & **ADJUSTALOK®**

ISO MOUNT ACTUATOR

A**A-1****B****C****D****E****A****A-1****B****C****D****E**

<u>ISO</u>	<u>DRIVE SIZE</u>	<u>HOUSING MAT.</u>	<u>COUPLER MAT.</u>	<u>SHAPE & CONFIG.</u>	<u>STUD TYPE</u>
F05	14 MM	<u>SS</u> -Stainless Steel	<u>SS</u> -Stainless Steel	<u>Standard</u> :	<u>I</u> -Imperial thread studs and nuts.
F07	17MM	304/303	Only	<u>DD</u> -Double D Body	
F10	19MM	<u>CS</u> -Carbon Steel	Standard: Coupler	<u>SQ</u> =Square Body	<u>M</u> -Metric thread studs and nuts.
F12	22MM	<u>AL</u> -Aluminum	at 90°		
F14	27MM			<u>ADJ</u> -AdjustaLok®-	
F16	36MM		* Coupler at 45°	allows for overtravel in	
	46MM		also available	closed position	

EXAMPLES: F07/17/SS/SS/DD

F07/17/SS/SS/DD/M

STANDARD ASSEMBLIES AVAILABLE

F05/14/SS/SS/DD	F07/19/SS/SS/DD	F10/27/SS/SS/DD	F14/36/SS/SS/DD
F05/14/SS/SS/DD/M	F07/19/SS/SS/DD/M	F10/27/SS/SS/DD/M	F14/36/SS/SS/DD/M
F07/17/SS/SS/DD	F10/22/SS/SS/DD	F12/27/SS/SS/DD	F16/46/SS/SS/DD
F07/17/SS/SS/DD/M	F10/22/SS/SS/DD/M	F12/27/SS/SS/DD/M	F16/46/SS/SS/DD/M

INQUIRE FOR PRICING OF NON-STANDARD ASSEMBLIES

sales@emsco-nc.com OR

emscompany@emsco-nc.com OR

PHONE: 704-821-7325



NON ISO MOUNT ACTUATOR

A**B****C****D****E****A****B****C****D****E****Make & Model No.****Housing Mat.****Coupler Mat.****Shape & Config.****Stud Type**Matryx
MX60
MX200
MX450-1250
MX3000SS-Stainless Steel
304/303
CS-Carbon Steel
AL-AluminumSS-Stainless Steel
Only

Standard: Coupler
at 90°Standard:
DD-Double D Body

Special
SQ-Square BodyI-Imperial thread
studs and nuts.

M-Metric thread
studs and nuts.Bettis
CB315/415
CB420/520
CB525/725* Coupler at 45°
also availableADJ- AdjustaLok®-
allows for overtravel in
closed positionKinetrol
KN07-100
KN189-100
KN209-100EXAMPLES: MX200/SS/SS/DD
KN189-100/SS/SSMorin
_B06-15
_B23-144

STANDARD ASSEMBLIES AVAILABLE

MX60/SS/SS/DD

CB315/415/SS/SS/ADJ

KN07-100/SS/SS

Morin_B06-015/SS/SS

MX200/SS/SS/DD

CB315/415/SS/SS/DD

KN189-100/SS/SS

Morin_B06-015/CS/SS

MX200/CS/SS/DD

CB420/520/SS/SS/DD

KN209-100/SS/SS

Morin_B23-144/SS/SS

MX450-1250/SS/SS/DD

CB525/725/SS/SS/ADJ

MX450-1250/CS/SS/DD

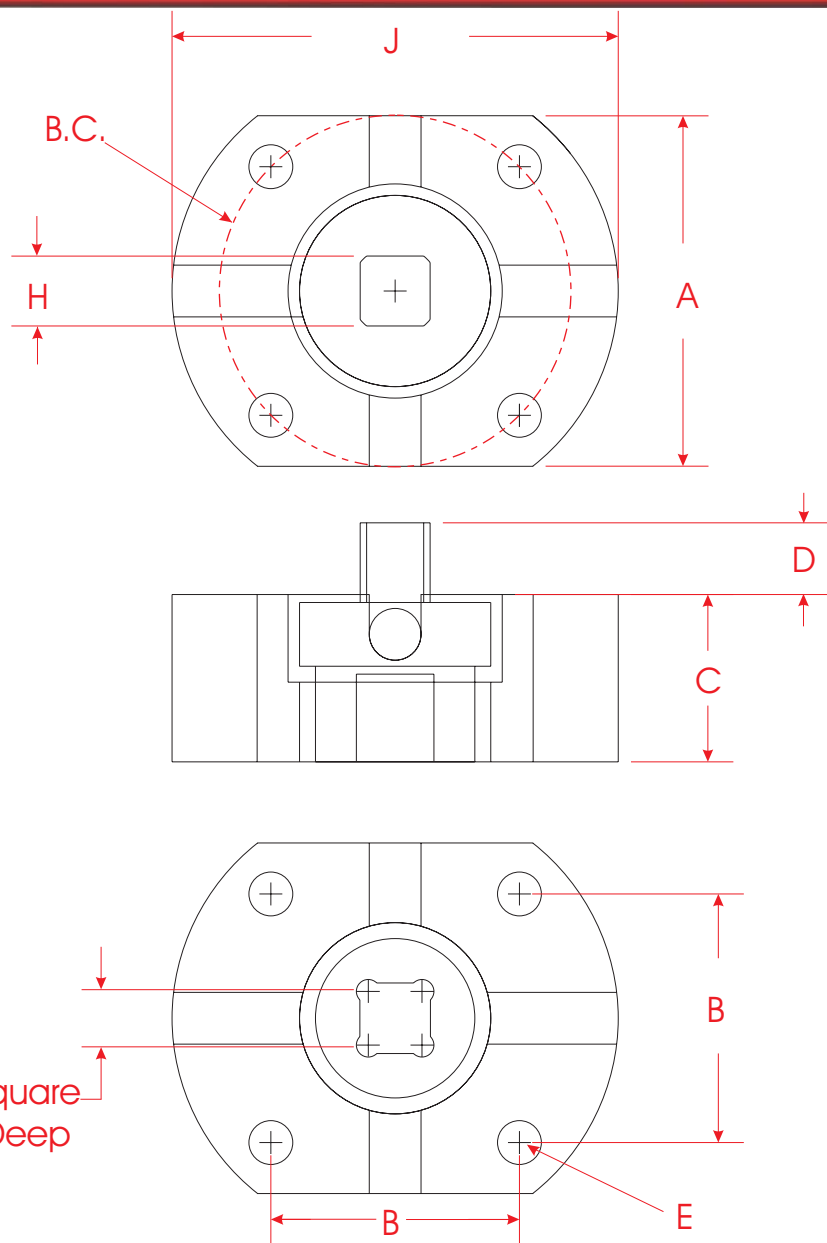
MX3000/AL/SS

MX3000/AL/SS/DD

INQUIRE FOR PRICING OF NON-STANDARD ASSEMBLIES

sales@emsco-nc.com ORemscompany@emsco-nc.com OR

PHONE: 704-821-7325



RETROLOK MOUNTING DETAILS

MODEL	B	B.C.	A	C	D	E	F	G	H	J
F05/14	1.39	1.969	2.125	1.438	0.63	0.28	0.551	0.63	0.550	2.50
F07/17	1.95	2.756	2.75	1.313	0.70	0.34	0.669	0.70	0.669	3.50
F07/19	1.95	2.756	2.75	1.313	0.75	0.34	0.748	0.70	0.748	3.50
F10/22	2.84	4.016	3.50	1.688	0.88	0.41	0.866	1.00	0.866	4.75
F10/27	2.84	4.016	3.50	1.688	1.13	0.41	1.06	1.13	1.063	4.75
F12/27	3.48	4.920	4.50	1.873	1.13	0.56	1.06	1.13	1.063	6.00
F14/36	3.89	5.512	5.25	1.938	1.25	0.69	1.417	1.25	1.416	6.50
F16/46	4.6	6.496	6.25	3.75	1.88	0.844	1.816	2.00	1.810	8.00

NOW AVAILABLE FOR OTHER ACTUATORS
MATRYX MX60-1250, VANE, BETTIS CB SERIES, KINETROL
CALL FOR OTHERS



CALL, FAX OR EMAIL US
Engineering Manufacturing Services Company
 Phone: 704-821-7325
 Fax: 704-821-7391
emscompany@emsc-nc.com